

## INSTALLATION OF SERIES 7868 TRAY SENSING SWITCH ON VEEDER-ROOT SERIES 7890 METER REGISTER AND PRINTER ASSEMBLY

KIT NUMBER 312020-387 & 312020-690

**WARNING:** WHEN THE PRODUCT IS USED TO CONTROL A MACHINE OR PROCESS WHERE PERSONAL INJURY, PROPERTY LOSS, OR EQUIPMENT DAMAGE MIGHT OCCUR AS A RESULT OF FAILURE OF ANY ELECTRICAL OR OTHER PRODUCT FUNCTION, YOU ARE URGENTLY RECOMMENDED TO INSIST ON INSTALLATION OF SAFEGUARDS WHICH WOULD PROTECT THE OPERATOR AND/OR MACHINE IN THE EVENT OF ANY UNEXPECTED OPERATION OF THE MACHINE OR PROCESS.

**WARNING:** IN INSTALLATION AND USE OF THIS PRODUCT, COMPLY WITH THE NATIONAL ELECTRICAL CODE; FEDERAL, STATE AND LOCAL CODES; AND ANY OTHER APPLICABLE SAFETY CODES. IN ADDITION, TURN OFF POWER AND TAKE OTHER NECESSARY PRECAUTIONS DURING INSTALLATION, SERVICE AND REPAIR TO PREVENT PERSONAL INJURY, PROPERTY LOSS AND EQUIPMENT DAMAGE.

**GENERAL:** The Series 7868 Tray Sensing Switch is for use on Veeder-Roth Series 7890 Meter Register and Printer only.

For switch installation, first remove the reset handle and printer cover. Then remove the printer/register from the case.

Note: Consult Veeder-Roth on any unusual application, installation or possible modification of this basic design.

### PREPARING CASE FOR SWITCH MOUNTING

1. Place the template, P/N 325348-001, supplied with the Series 7868 Switch on the back of the case. (Figure 1 is a reduced reproduction of the template that can be used as a guide for hole location.)
2. Align the left side of outline with left side of case. Punch and drill the  $\frac{23}{32}$ " diameter and the  $\frac{9}{32}$ " diameter holes where indicated.

Note: Do not drill in a hazardous area.

3. Clean the metal from around the holes. Remove all chips.

### INSTALLING TRAY SENSING SWITCH

1. Attach the Tray Sensing switch through the holes in case with three screws and lockwashers. (See Figure 2.) Tighten mounting screws to 30 to 35 lb-in.
2. Remove the screw from the printer tray group. Attach actuator finger, 325322-001, with new pan head screw, 501205-513, and lockwasher, 510049-001. (See Figure 2.)
3. If necessary, bend the lever, Figure 3, to maintain the following conditions:
  - A. When tray is out, switch plunger must rest on or above small diameter of cam.
  - B. When tray is in its full position, the switch plunger must rest 0.030" ref. on the large diameter of the cam.
  - C. Cam must not strike underside of cover.

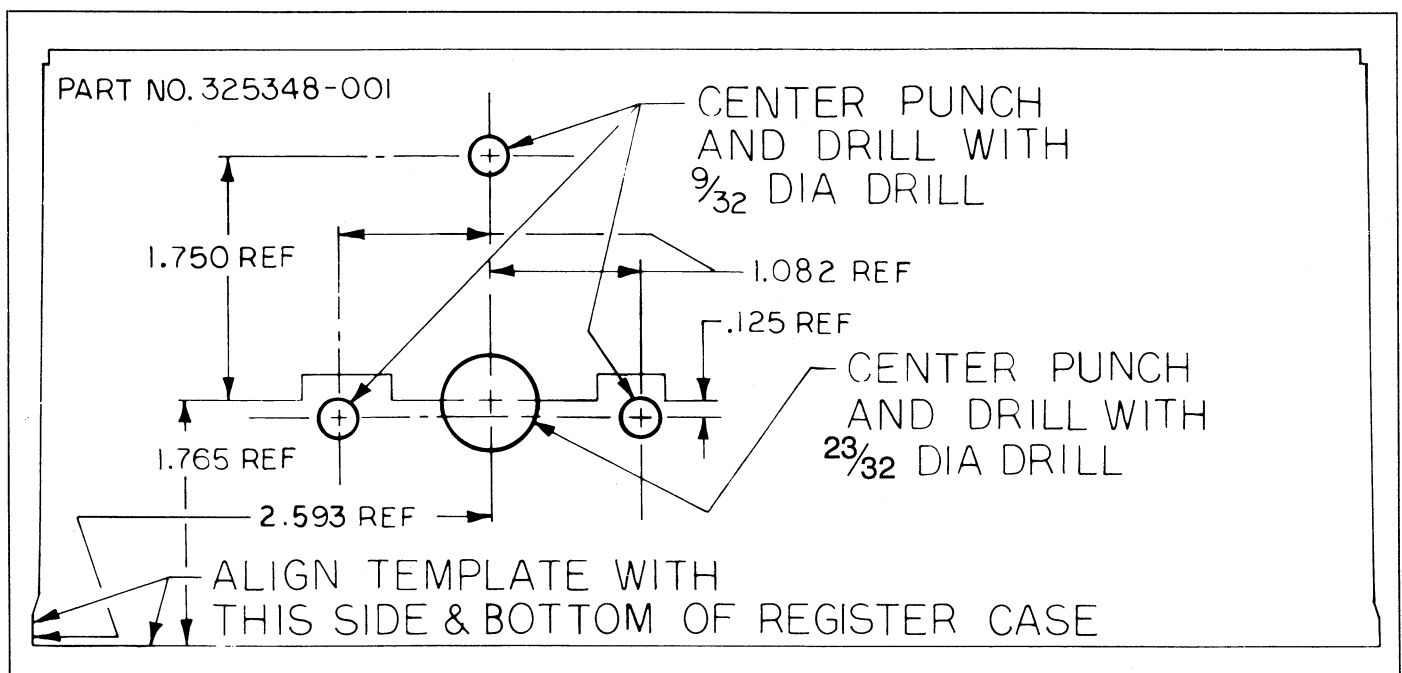


Figure 1. Switch Mounting Hole Dimensions.

## REASSEMBLY

1. Reassemble the register and printer, handle and cover.

Note: To ease assembling register and printer in case, position printer tray in the out position.

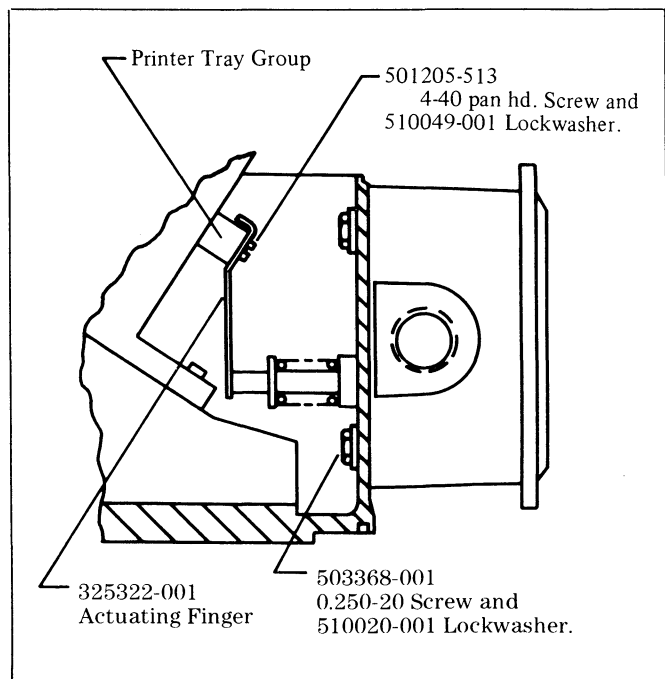


Figure 2. Tray Sensing Switch Mounting Details.

## CONNECTING SWITCH LEADS

**WARNING: MAIN POWER MUST BE DISCONNECTED BEFORE INSTALLING SWITCH LEADS.**

1. Switch is SPDT, with capacity of 115v-ac or 230v-ac, 50/60Hz, at 15 amperes; 125v-dc, at 1/2 ampere; 250v-dc, at 1/4 ampere. Use wires provided.

Note: See National Electrical Code for size of wire, number of wires allowed in conduit and conduit sealing requirements.

2. After selecting the circuit hookup for proper operation or control, Figure 4, connect to the leads provided.

**FINAL CHECK.** After completing hookup and before releasing the Series 7890 Meter Register and Printer for normal service, be sure the switch and allied circuitry operate properly.

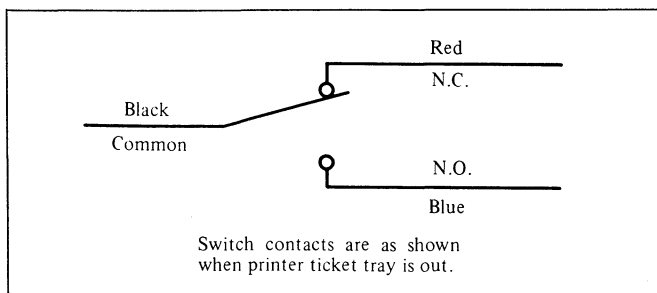


Figure 4. Tray Sensing Switch Connections.

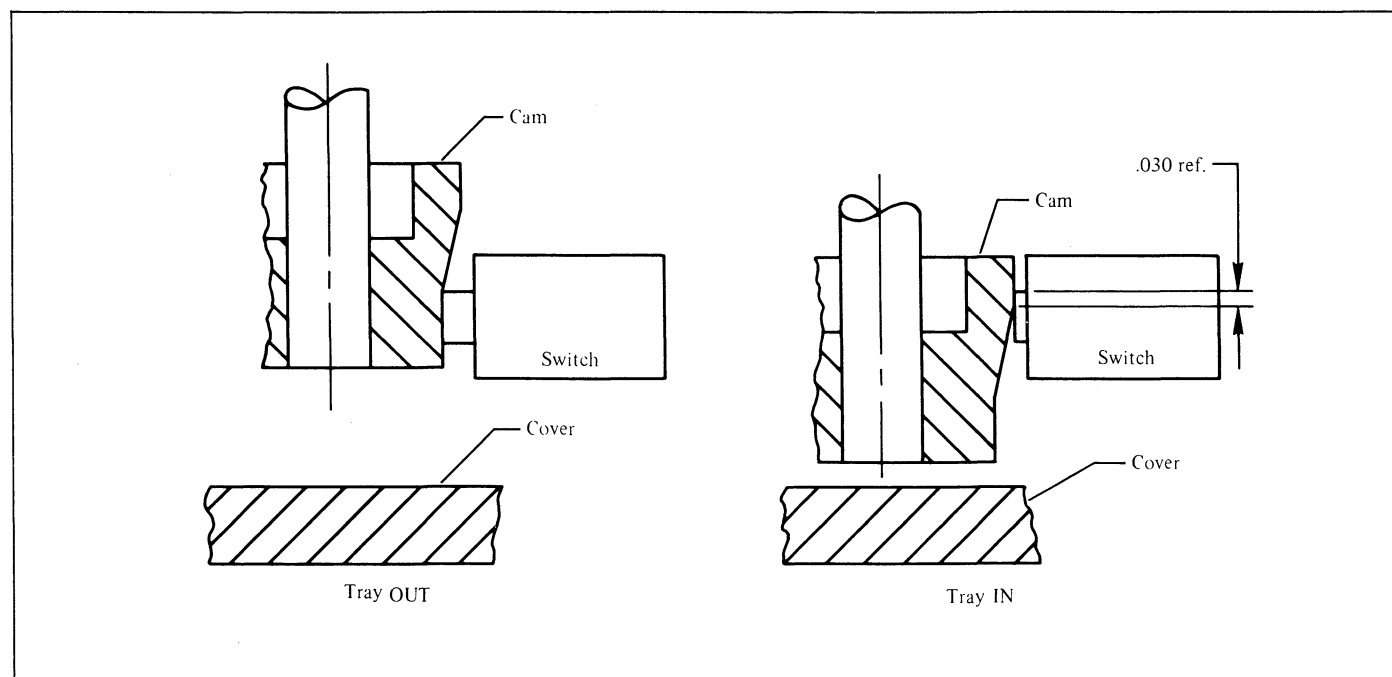


Figure 3. Switch Internal Adjustment.

**VEEDER-ROOT**

125 Powder Forest Drive, Post Office Box 2003, Simsbury, CT 06070-2003 TEL: (203) 651-2700, FAX: (203) 651-2750

AUSTRALIA: Cheltenham, Victoria • BRAZIL: Sao Paulo • CANADA: Etobicoke • FRANCE: Rungis • SCOTLAND: Dundee • WEST GERMANY: Neuhausen/Filder